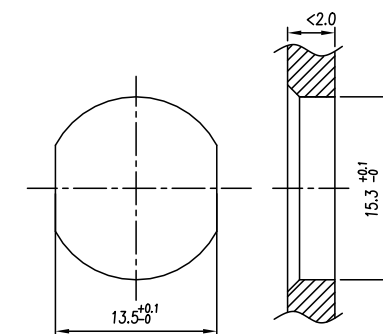


| REVISION RECORD | | | | |
|-----------------|-------------|---------|----------|------|
| REV. | DESCRIPTION | ECN No. | APPROVED | DATE |
| | | | | |

| | | |
|---|--|------------------------------|
| IEC 技术参数 IEC Technical Data | | IEC61076-2-101 |
| 工作温度 Operating temperatur [°C] | | -25~+80 |
| 防护等级 IP Class (IN Locked condition) | | IP67 |
| 额定电压 Rated Voltage [V] | | |
| 额定电流 Rated Current [A] | | |
| 导线截面积 Conductor cross section 硬质/柔性导线 Solid/ flexible [mm ²] | | |
| 接线范围 Wire Range 单/多芯线 Solid/Stranded [AWG] | | |
| 材料 Material | | |
| 绝缘材料 Insulation Material | | PA 66 |
| 阻燃等级 Imflammability | | UL94V-0 |
| 导体材料 Contactor Material | | 铜合金 Copper alloy |
| 导体镀层 Contactive Coating | | 镀金 Gold Plated |
| 螺母/螺丝 Connector Nut/Screw | | Brass With Nickel Plated 铜镀镍 |
| 符合RoHS环保要求 | | |

| Contacts Pin 数 | 3Pin | 4Pin | 5Pin | 8Pin | 12Pin | 17Pin |
|-----------------------|--------------------------|--------------------------|--------------------------|--------------------------|--------------------------|--------------------------|
| A-Coding | | | | | | |
| Rated Current 额定电流 | 4A | 4A | 4A | 2A | 1.5A | 1.5A |
| Rated Voltage 额定电压 | 250V | 250V | 60V | 30V | 30V | 30V |
| Wire Range线范围 | 22AWG | 22AWG | 22AWG | 24AWG | 26AWG | 26AWG |
| PART NO.品名: | M12-A03P-ST0-M02-BH2-050 | M12-A04P-ST0-M02-BH2-050 | M12-A05P-ST0-M02-BH2-050 | M12-A08P-ST0-M02-BH2-050 | M12-A12P-ST0-M02-BH2-050 | M12-A17P-ST0-M02-BH2-050 |
| Customized定制化: | | | | | | |



Panel cut-out

| | | | | | |
|-----------|--------------------|---|---------------------|------------|-----------|
| G | WIRE | WIRE:UL 1061 L=508m | pcs | X | |
| F | O-Ring | O-Ring FKM Black | pcs | 1 | |
| E | Resin | Black epoxy resin for sealing | g | 2 | |
| D | Nut | Nut:PG9,Brass With Nickel Plated | pcs | 1 | |
| C | Housing | A-Coding Male,Black PA66 | pcs | 1 | |
| B | Terminal | Male Terminal ,Brass With Gold Plated | pcs | X | |
| A | Screw | Screw M12 X1.0,Brass With Nickel Plated | pcs | 1 | |
| 编号 No. | 料号 Materials.No | 品名 Name | 材料规格 Description | 单位 Unit | 用量 Qty |

| | | | | | | | |
|------------------------|-------|-----------|------|---------------|-------|---------------------------|------------------------|
| NO SPECIFIED TOLERANCE | | Cus' P/N: | | Order No: --- | | Drawing No.: SP-02-M00XXX | |
| | | DES. | Jun | DATE | UNITS | mm | THIRD ANGLE PROJECTION |
| LINEAR | 0.5-6 | ±0.1 | CHK. | DATE | SIZE | A4 | 1 of 2 |
| | 6-30 | ±0.2 | | | | | |
| | >30 | ±2% | APP. | DATE | SCALE | X:X | 文件等级:外部公开 |



慈溪市万捷电子有限公司
CIXI WANJIE ELECTRONIC CO., LTD

PART NO.:
M12-AXXP-ST0-M02-BH2-050

| REVISION RECORD | | | | |
|-----------------|-------------|---------|----------|------|
| REV. | DESCRIPTION | ECN No. | APPROVED | DATE |
| | | | | |
| | | | | |

3Pin

| | |
|----|----------|
| P1 | Wirelist |
| 1 | brown |
| 3 | blue |
| 4 | black |

4Pin

| | |
|----|----------|
| P1 | Wirelist |
| 1 | brown |
| 2 | white |
| 3 | blue |
| 4 | black |

5Pin

| | |
|----|----------|
| P1 | Wirelist |
| 1 | brown |
| 2 | white |
| 3 | blue |
| 4 | black |
| 5 | grey |

17Pin

| | |
|----|--------------|
| P1 | Wirelist |
| 1 | brown |
| 2 | blue |
| 3 | white |
| 4 | green |
| 5 | pink |
| 6 | yellow |
| 7 | black |
| 8 | grey |
| 9 | red |
| 10 | violet |
| 11 | grey/pink |
| 12 | red/blue |
| 13 | white/green |
| 14 | brown/green |
| 15 | white/yellow |
| 16 | yellow/brown |
| 17 | white/grey |

12Pin

| | |
|----|-----------|
| P1 | Wirelist |
| 1 | brown |
| 2 | blue |
| 3 | white |
| 4 | green |
| 5 | pink |
| 6 | yellow |
| 7 | black |
| 8 | grey |
| 9 | red |
| 10 | violet |
| 11 | grey/pink |
| 12 | red/blue |

8Pin

| | |
|----|----------|
| P1 | Wirelist |
| 1 | white |
| 2 | brown |
| 3 | green |
| 4 | yellow |
| 5 | grey |
| 6 | pink |
| 7 | blue |
| 8 | red |

| | | | | | | | | | | | | |
|--|-------|---------------------------------------|---------------------------|---------------|------------|----------|------------------------|------|------|------|-----------|--------|
|  慈溪市万捷电子有限公司 CIXI WANJIE ELECTRONIC CO., LTD | | PART NO.: M12-AXXP-ST0-M02-BH2-050 | | | | | | | | | | |
| | | Order No : --- | Drawing No.: SP-02-M000XX | | | | | | | | | |
| NO SPECIFIED TOLERANCE | 0.5-6 | ±0.1 | Cus' P/N: | DES. Jun DATE | Order No : | UNITS mm | THIRD ANGLE PROJECTION | PAGE | | | | |
| | 6-30 | ±0.2 | | | | | | | CHK. | DATE | SIZE A4 | 2 of 2 |
| | >30 | ±2% | | | | | | | APP. | DATE | SCALE X:X | |
| ANGLES | ±1° | | 文件等级: 外部公开 | | | | | | | | | |